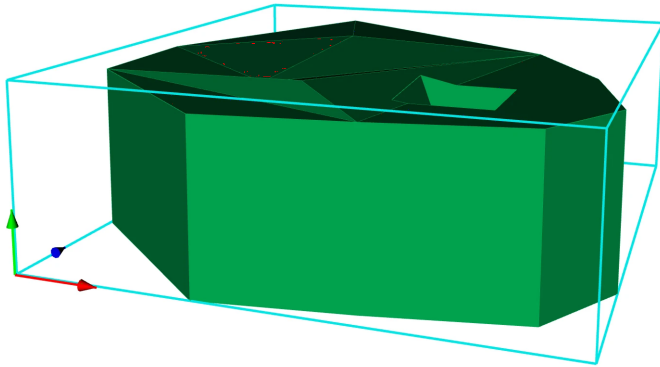


## 5.9.6 LU Visible

The LU are visible from the respective direction from the bottom of the box.



Example LU 353 --> Everything that is seen from above (i.e. surfaces that are vertically or covered from above are not measured)

